

Poindus

VariPOS

Take Your
Store Experience
to The Next Level

250 i





Features

Patented Double Hinge & Dual Base Mounting Points Connect with Customers at Any Angle

Patented swivel arm with flexible height/tilt adjustment for 2nd display and dual (left/right) base mounting points for another 2nd display, LCM, or pin pad bracket.



High Speed Custom USB Type C Connector Redefining Service

The VariIO I/O Box module connects all your devices through a single high speed custom USB Type C connector maintaining high I/O transfer rates and easy for quick service.

Ordering Information

VariPOS 250i (with VariIO I/O Box)

- | | |
|------------------------------|---|
| ■ VariPOS 250i i5-6300U | Intel® Skylake Core™ i5-6300U 3.0 GHz CPU |
| ■ VariPOS 250i i3-6100U | Intel® Skylake Core™ i3-6100U 2.3 GHz CPU |
| ■ VariPOS 250i Celeron 3955U | Intel® Skylake Celeron® 3955U 2.0 GHz CPU |



Multi-touch Screen



Waterproof -
IP66 on Front Panel



Quick Maintenance



Detail features

- Intel 6th Generation Celeron i3, i5 high-end processors in a fanless structure
- True flat 15" 4:3 LCD (LED backlight), 400 nits with IP66 protection
- Patented swivel arm with height adjustment & tilt-angle 2nd screen, mountable at either right or left side of base
- Panel PC configuration available
- High speed custom Type C connector for customizable VariO I/O Box to meet project specification
- 1 x 24V, 2 x 12V Powered USB for retail peripherals (VariO I/O Box)
- Quick SWAP design VariO I/O Box for easy maintenance
- Peripheral compatibility across the whole VariPOS 2xx series: LCM, 10.1" 2nd display with patented double hinge, MSR, iButton, Fingerprint, RFID, Scanner

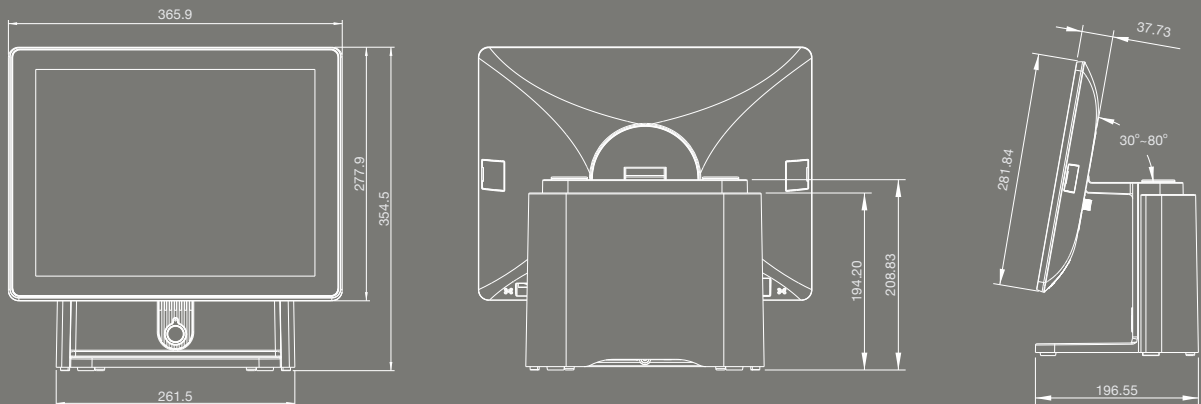
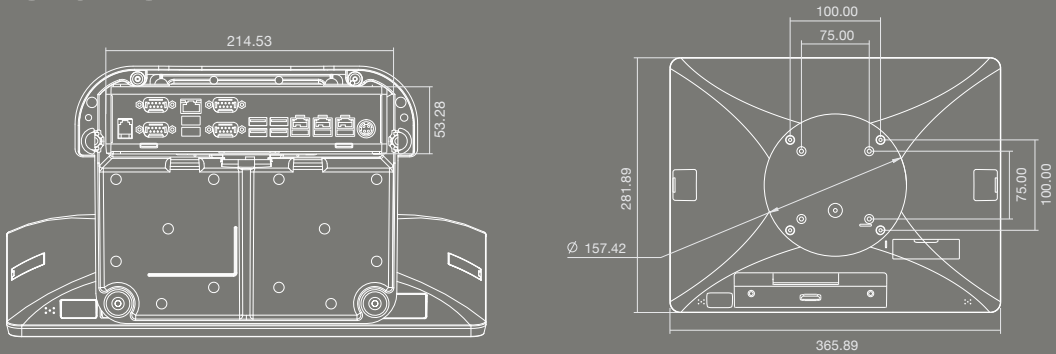
Specification

Model Name		• VariPOS 250i
Main Board	Processor	Intel® Core™ i5-6300U Processor Intel® Core™ i3-6100U Processor Intel® Celeron® Processor 3955U
	Chipset	CPU Integrated
	System Memory	1 x SO-DIMM DDR4 slot, 4GB RAM as standard. Max. memory support up to 16GB. Easy access with secured cover for easy maintenance.
	TPM	Intel F/W
	Intel AMT	Only i5 CPU
Display & Touch	LCD Size	15" 4:3 TFT LCD (LED backlight)
	Brightness	400nits
	Resolution	1024 x 768 (4:3)
	Touch	True Flat Projected Capacitive Technology
Storage	HDD/SSD	1 x SATA III (2.5")
I/O & Expansion	DC Input	1 x Mini Din 4P (DC +19V only)
	Cash Drawer	1 x RJ-11 (Support DC +12V or +24V (default) port supports 2 cash drawers
	LAN port	2 x Gigabit Ethernet by RJ-45
	USB port	4 x USB 3.0 4 x USB 2.0
	Powered USB Port	2 x DC+12v Powered USB 1 x DC+24v Powered USB
	COM port	4 x RS-232 (jumper setting, support DC+0/5/12v, default setting is 0v)
	Bus Expansion	1 x Mini-PCI-E Slot
	Power Switch	1 x power on/off button
	Speaker	HD Audio, 2W Speaker x 2
OS Support		Windows 10 2016 IOT (64bit) / Windows 8.1 (64bit) / Windows 7 (32bit / 64bit)
Power Adapter (External adapter)		Voltage:+19VDC, Std. 90watt.
Compliance	Certifications	CE, FCC, LVD, RoHS
	Protection	IP 66 on front panel
Material		Main Unit: Die-Cast Aluminum
Color		Main Unit: Space Gray / Black, Space Gray / White (POS)
Dimension (W x H x D mm)		365.89 x 354.48 x 196.55 mm
Environmental Condition	Operating	0°C ~ 40°C, 10% ~ 90% RH, non-condensing
	Storage	-20°C ~ 60°C, 10% ~ 90% RH, non-condensing

Model Name		• VariPOS 250i
Optional Accessories	2nd Display	Dual hinge 10.1 " 1280 x 800 (16:10 wide screen) USB Type
	2nd VESA Bracket	Supports Display M series (USB Type)
	LCM	2x20 USB Type
	MSR	ISO 3-Tracks Slim MSR USB Type
	ibutton	Dallas Key Reader, USB Type
	RFID	13.56Mhz USB Type
	Fingerprint	Digital Persona U.are.U 4500 Module USB Type
	Scanner	2D scanner, USB Type
Carton		L 460 x W 300 x H 510 mm

* The right has been reserved to change the specification without prior notice

Dimensions



Poindus

www.poindus.com



Poindus Systems Corp. Headquarters

5F, No.59, Ln. 77, Xing-Ai Rd., Neihu Dist., Taipei City 114, Taiwan. R.O.C

☎ + 886 27721 4688

📠 + 886 27721 2289

✉ sales@poindus.com

France

Paris Nord 2 - MicroPark – Bat. F
33 rue des Chardonnerets 93290 – Tremblay en France

☎ + 33 (0)1 80 90 74 20

✉ fr.sales@poindus.com

Germany

ADASYS GmbH Elektronische Komponenten
Max-Planck-Str. 10 70806 Kornwestheim

☎ + 49 7154 83000

📠 + 49 7154 8300 599

✉ info@adasys.de

UK

12 Chancerygate Business Centre, Whiteleaf Road,
Hemel Hempstead HP3 9HD

☎ + 44 330 555 0081

📠 + 44 330 555 0082

✉ puk@poindus.com